

**PORKKA**

HORECA & SCIENTIFIC  
KL Ice Cube Machines ja KF Flake Ice MACHiENS

# Product catalogue

KL Ice Cube Machines, KF Flake Ice Machines



# KL series automatic ice cube machines



Thanks to continuous development, Porkka's ice cube machines produce high-quality ice cubes as economically as possible. The spray method uses only a minimal amount of water and electricity to make round, clear and durable ice cubes.



Applications include e.g. restaurants, hotels, bakeries and cafes as well as health centers and hospitals

KL models with fixed tank  
The KL models have a really easy-to-clean condenser supply air filter

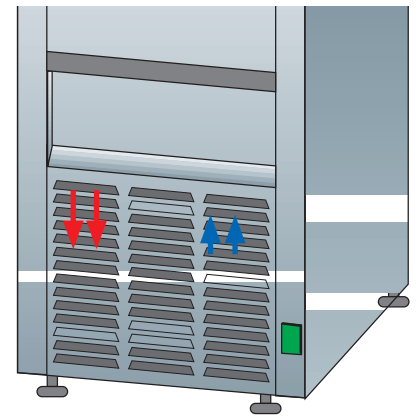
- In AF models, condensing air is taken from the front and also blown to the front.
- AF models are suitable for narrow positions

## Features

- Bodywork made from stainless steel grade AISI 304
- One piece insulated and moulded food safe ABS plastic storage bin
- Spray system for cristal clear, hygienic and long lasting ice cubes
- Fully automatic production system
- All models equipped with cleaning system
- All parts for cleaning are accessible without use of tools
- Bin thermostat to control production when bin is full

## Optional eatures

- Models KL 32 and KL 42 ventilation in frontside
- Water-cooled condenser
- Power supply 230 V / 60 Hz, 115 V / 60Hz
- The KL 18 A, KL 22 A and KL 32 AF models have 25 mm high adjustment feet. The feet can be replaced by 140 mm adjustable feet, which are standard on larger models. High legs make it easier to use if the appliance is installed on the floor. 4 packs extra pirce when delivery is included with the ice machine.



Optional front ventilation.



KL22



KL32



KL42

Technical information	KL18A		KL22A		KL32AF		KL42AF	
Outer surface	Steel plate, polyester		Stainless steel		Stainless steel		Stainless steel	
Air/water cooled	A	W	A	W	A	W	A	W
Production kg / day	21	22	24	25	30	31	40	42
Width (mm)	345		345		417		495	
Depth (mm)	460		460		531		573	
Height (mm) (adjustable feet)	588 + (25)		588 + (25)		654 + (25)		705 + (140)	
Cubes produced (24h)	1166	1222	1333	1388	1660	1720	2220	2330
Bin Storage (Kg)	6.5		6.5		11		17	
Ice cubes in the tank	360		360		610		940	
Connection Power (kW)	0.31		0.31		0.32		0.4	
Voltage	230V/50Hz		230V/50Hz		230V/50Hz		230V/50Hz	
Gross Weight (kg)	32		36		43		54	
Refrigerant	R290		R290		R290		R290	



**KL52**



**KL72**



**KL102**



**KL132**

Technical information	KL52A		KL62A		KL72AF		KL102A	
Outer surface	Stainless steel		Stainless steel		Stainless steel		Stainless steel	
Air/water cooled	A	W	A	W	A	W	A	W
Production kg / day	50	52	60	62	70	72	88	90
Width (mm)	495		495		680		680	
Depth (mm)	573		573		573		600	
Height (mm) (adjustable feet)	802 + (140)		852 + (140)		890 + (140)		950 + (140)	
Cubes produced (24h)	2770	2880	3330	3440	3880	4000	4880	5000
Bin Storage (Kg) / (kpl)	20 / 1100		20 / 1100		30 / 1660		45 / 2500	
Connection Power (kW)	0.4		0.65		0.65		0.88	
Voltage	230V/50Hz		230V/50Hz		230V/50Hz		230V/50Hz	
Gross Weight (kg)	55		58		70		73	
Refrigerant	R290		R290		R290		R290	

Technical information	KL132A		KL152A	
Outer surface	Stainless steel		Stainless steel	
Air/water cooled	A	W	A	W
Production kg / day	125	127	145	147
Width (mm)	1000		1000	
Depth (mm)	600		600	
Height (mm) (adjustable feet)	950 + (140)		1010 + (140)	
Cubes produced (24h)	6940	7050	8050	8160
Bin Storage (Kg) / (kpl)	65 / 3610		65 / 3610	
Connection Power (kW)	1.2		1.35	
Voltage	230V/50Hz		230V/50Hz	
Gross Weight (kg)	103		105	
Refrigerant	R290		R290	

Technical information	A KD3 A Pub W		A KD30A Hotel W	
Production kg / day	125	127	145	147
Koko LxSxK mm	417 x *531 x 725		417 x *531 x 1515	
Production kg / day	30	31	30	31
Voltage	230V/50Hz		230V/50Hz	
Refrigerant	R290		R290	

KD3 / 30 Ice machines includes the distributor and tank



**KD30**

\* The depth gauge includes a 125 mm dosing protrusion



KL-models without tanks

**KL172**

**KL302**

Technical information	KL172		KL302	
Outer surface	Stainless steel		Stainless steel	
Air/water cooled	A	W	A	W
Production kg / day	150	152	260	262
Width (mm)	975		975	
Depth (mm)	641		641	
Height (mm) (adjustable feet)	540		895	
Cubes produced (24h)	8330	8440	14440	14550
Bin Storage (Kg) / (kpl)	-		-	
Connection Power (kW)	1.5		2.4	
Voltage	230V/50Hz		230V/50Hz	
Gross Weight (kg)	94		145	
Refrigerant	R290		R452A	



**B150 + BL150**



**B250 + BL250**

Ice cube trays (B) + cover plates (BL) on which the ice cube machine is raised

Tekniset tiedot	B150 Ice cube tray	BL150 Cover plates	BE 150 Extension	B250 Ice cube tray	BL250 Cover plate	BE250 Extension
Outer surface	Stainless steel	Stainless steel	Stainless steel	Stainless steel	Stainless steel	Stainless steel
Width (mm)	975	975	975	1200	1200	1200
Depth (mm)	845	640	640	845	640	640
Height (mm) (Feet)	768 + (140)	-	400	768 + (140)	-	400
Bin Storage (Kg)	150	-	100	250	-	150
Gross Weight (kg)	55	-	-	68	-	-

Porkka reserves the right to make product alterations at any time and can not be held responsible for any printing errors or omissions.

# KF series automatic flake ice machines



Porkka Automatic Flake Ice Machines produce a dry free-flowing flake ice that is ideal for salad bar displays, cooling of white wines or champagne and cocktails where crushed ice is required. They can be used in hotels, restaurants, cafes and nightclubs when a more sophisticated display is required to enhance customer appeal.



**KF85**

## KF models with fixed tank

The KF models have a easy-to-clean condenser supply air filter

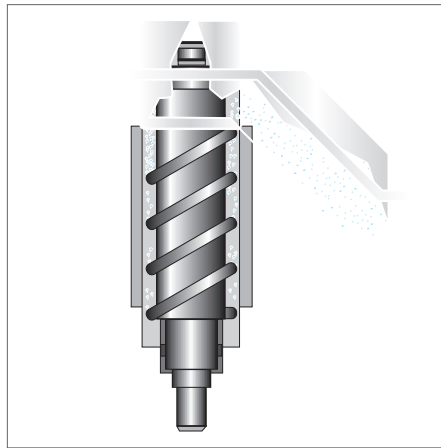
The ice is made in a cylinder, inside which a crushing screw produces small, high-quality flake ice. For more information on the KF-P models, which make compressed and even drier flake ice, contact our sales department.

The KF45 has 25 mm high adjustable feet for table use. The feet can be replaced by 140 mm adjustable feet, which are standard on larger models. Higher feet make it easier to use if the machine is installed on the floor. Additional price (4 pcs / pack) when delivery is with an ice machine.

Larger Ziegra ice machines with different ice coal sizes are priced according to separate offers. Yield from the Ziegra collection 30–10,000 kg / day. Ask more!

## Features

- Bodywork made from stainless steel grade AISI 304
- One piece insulated and moulded food safe ABS plastic storage bin
- A spray system that produces clear, hygienic and durable ice cubes
- Fully automatic flake ice production
- All models equipped with a cleaning system
- All parts to be cleaned can be accessed without tools
- In large models, flake ice production is controlled by an infrared eye system in the ice drop tube



KF machines produce flake ice using the Auger method. Tried and tested over the years these machines produce quality flake ice at competitive prices.

## Optional features

- Front ventilation for model KF 75
- Water cooled condenser
- Voltage 230V/60Hz or 115V/60Hz



**KF45A**



**KF85A**



**KF145A**



**KF185A**

Technical information	KF45A		KF85A		KF145A		KF185A	
Outer surface	Stainless steel		Stainless steel		Stainless steel		Stainless steel	
Air/water cooled	A	W	A	W	A	W	A	W
Production kg / day	40	42	80	83	135	141	175	183
Width (mm)	345		485		680		953	
Depth (mm)	520		586		588		590	
Height (mm) (adjustable feet)	610 + (25)		720 + (140)		890 + (140)		781 + (140)	
Bin Storage (Kg)	10		25		42		60	
Connection Power (kW)	0.4		0.4		0.45		0.69	
Voltage	230V/50Hz		230V/50Hz		230V/50Hz		230V/50Hz	
Gross Weight (kg)	41		59		76		89	
Refrigerant	R290		R290		R290		R290	



**KF200A**



**KF300A**



**KF600A**

KF models without tanks

Technical information	KF200A		KF300A		KF600A	
Outer surface	Stainless steel		Stainless steel		Stainless steel	
Air/water cooled	A	W	A	W	A	W
Production kg / day	195	205	300	305	600	615
Width (mm)	560		560		620	
Depth (mm)	640		640		640	
Height (mm)	622		622		755	
Bin Storage (Kg)	-		-		-	
Connection Power (kW)	0.72		0.92		1.95	
Voltage	230V/50Hz		230V/50Hz		230V/50Hz	
Gross Weight (kg)	63		63		115	
Refrigerant	R290		R290		R290	



**KF1200A**



**KF2500A**

Large KF models without tanks

Technical information	KF1200A		KF2500A	
Outer surface	Stainless steel		Stainless steel	
Air/water cooled	A	W	A	W
Production kg / day	1150	1165	2300	2330
Width (mm)	850		1146	
Depth (mm)	640		800	
Height (mm) (adjustable feet)	915		1126	
Bin Storage (Kg)	-		-	
Connection Power (kW)	3.6		2 x 3.6	
Voltage	V400/50Hz/3		V400/50Hz/3	
Gross Weight (kg)	190		318	
Refrigerant	R452		R452	



Ice cube trays (B) + cover plates (BF) on which the ice cube machine is raised



**B150 + BF150**



**B250 + BF250**

Technical information	B150 Flake ice tray	BF150 Cover plate	BE150 Extension	B250 Flake ice tray	BF250 Cover plate	BE150 Extension
Outer surface	RST	RST	RST	RST	RST	RST
Width (mm)	975	975	975	1200	1200	975
Depth (mm)	845	640	640	845	640	640
Height (mm) (Feet)	768 + (140)	–	400	768 + (140)	–	400
Bin Storage (Kg)	150	–	100	250	–	100
Gross Weight (kg)	55	–	–	68	–	–

Flake ice cart and ice rack for flake ice machines  
KF 200, 300 and 600

Technical information	RB60 Ice Cart	TF60 Ice Rack
Applications	KF200, KF300 ja KF600	KF200, KF300 ja KF600
Width (mm)	600	750
Depth (mm)	590	600
Height (mm) (adjustable feet)	910	957
Voltage	230V/50Hz	
Gross Weight (kg)	51	
Refrigerant	R290	



**RB 60 and TF60**

# PORKKA

Porkka is an internationally recognised designer and manufacturer of professional refrigeration solutions. Key target industries include HoReCa, Medical and Research and Marine. Porkka's products are well known on its long life cycle, high quality and technical advantage.

Porkka is a brand of the Festivo-Porkka Group. Porkka brand is well known for its quality and reliability throughout the world. The success of Porkka is based on decades of experience, customer focused design and continuous product development. The materials used in Porkka products are as recyclable and eco-friendly as possible. The recyclability of our product is more than 95%.



Porkka solutions are designed and manufactured according to a quality standard ISO 9001:, controlled and certified by Lloyd's Register Quality Assurance. Porkka also hold the environmental certificate ISO 14001:2015, issued also by LRQA. Festivo-Porkka Group reserves the right to make any changes without prior notice.