

Technical data 2023

Medical and Scientific equipment

MED, MEDLAB



PORKKA

Technical data

Medical & Scientific Equipment

Contents

Nanoksi Fotonit - touch-safe surfaces	4
MED and MEDLAB antimicrobial medical refrigerators	5
Properties of MED and MEDLAB Products	6
MED Medical Cupboards	7
MED factory mounted accessories	14
MED freezer	16
MED freezer, factory mounted accessories	17
MEDLAB Spark-proof Laboratory Refrigeration Equipment	18
MEDLAB 320 IV Spark-proof Laboratory Refrigeration Equipment - Ventilation system	24
MEDLAB factory mounted accessories	26
MEDLAB 400 Spark-proof Laboratory Refrigeration Equipment	27
MEDLAB 400 factory mounted accessories	31
MED ambient storage cupboards and refrigerated cupboard combinations	33
Factory mounted accessories for ambient storage cupboards	37
Wall mounting and installation under table top and furniture mounting	38
Sales and delivery conditions	39





Nanoksi Fotonit - touch-safe surfaces

Nanoksi Fotonit is a light-activated antimicrobial photocatalytic coating that changes surfaces to be touch-safe by destroying, e.g., viruses and other pathogens.

The coating has a significant effect on the hygiene and cleanliness of premises and surfaces. Self-disinfecting surfaces remain hygienic without strong chemicals, and the coating is reactivated again and again by light and the coating lasts up to years, depending on consumption.



Nanoksi Fotonit light-protected surfaces make the premises safer for both employees and customers. Protection reduces illness for staff and customers and prevents epidemics with better hygiene.

The photocatalytic Nanoksi Fotonit method saves on cleaning and maintenance costs and ensures the cleanliness of rooms and surfaces. Nanoksi Fotonit light-protected surfaces also improve indoor air and thus well-being at work. Applications include, e.g., hospitals, kindergartens, service homes, and laboratories.



MED and MEDLAB antimicrobial medical refrigerators

MED and MEDLAB products have been designed to minimize the spread of bacteria and viruses.

In all MED and MEDLAB products, the door handle (1) and control unit keypad (2) is treated with Nanoksi Fotonit photocatalytic coating. In addition, an antimicrobial additive has been added to the condensate tray (3) of the device during the production stage.

As a factory-fitted accessory, the interior of the device can be treated with a Nanoksi Fotonit photocatalytic coating. In this case, the device is also equipped with a disinfection lamp.

Thanks to these treatments, the components of the device are protected against microbes (bacteria, fungi, mold, viruses).



1. Door handle



2. Control unit keypad



3. Condensate tray

Many other surfaces can also be coated with Nanoksi Fotonit photocatalytic coating. Request a separate offer from the sales department here!

Nanoksi Fotonit - a light-protected surfaces

Technical data

Medical & Scientific Equipment

Properties of MED and MEDLAB Products

Products of the MED and MEDLAB range have a number of operating and product safety related properties such as Nanoksi Fotonit touch-safe surfaces.

- A glass door as an alternative for a solid door available for every pharmaceutical refrigerator model
- A number of different interior arrangements: glass and stainless-steel shelves, drawers, rack baskets and rack shelves
- Low noise level, 40–45 dB depending on the model
- Excellent temperature uniformity (± 1 °C) measured according to DIN 58345
- Ability to connect the device to external building management system (potential-free alarm)



Technical data

MED Medical Cupboards

Wide range of cabinets and drawer units, especially for the needs of physician's offices, hospitals, and healthcare facilities. Lockable cabinets and drawer cabinets that are easy to clean are the ideal solutions for storing medicines.



MED 80 with a stand.
The model in the illustration has the stand (H=120 mm) as an accessory.

MED 120

MED 200

MED 160/160

MED 320



MED 80 GD with a stand. The model in the illustration has the stand (H=120 mm) as an accessory.

MED 120 GD

MED 200 GD

MED 160/160 GD

MED 320 GD

Technical data

MED Medical Cupboards

Features

- Excellent temperature uniformity ($\pm 1^{\circ}\text{C}$) measured according to DIN 58345
- Low noise level under 45 dB(A)
- Bacteria-free automatic evaporation for condensate water
- Antimicrobial coted door handle and keypad of control unit
- Control unit with clear numeric display for temperature and other functions
- Key lock on the control unit
- Recording of maximum and minimum temperature
- Visual and audible high/low temperature alarm
- Door switch for fan control and door open-alarms
- Probe failure alarm
- Readiness for RS485 adapter for computer connection
- $\varnothing 8$ mm sleeved access port for additional probe
- fan assisted air distribution.
- Molded eco-friendly polyurethane insulated frame. The insulation thickness is 50 mm
- External finish has a white polyester coated sheet steel
- Interior finish in white vacuum foamed polystyrene and white polyester coated sheet steel
- Glass shelves which are adjustable in increments of 36 mm. The door has easily removable door shelves (not in models MED 320 and GD)
- Abloy lock is placed in front panel for easy maintenance (Abloy Sentry key)
- The self-closing door has a sturdy molded handle, magnetic seal, and durable hinges. The door remains open at a 90 degree angle
- Automatic defrost
- Efficient, environmental friendly, energy saving refrigerant system R600a or R290
- Electrical supply 230V / 50 Hz



MED 120 with glass shelves



MED 120 with drawers

Accessories

- Plastic drawer with dividers
- Stainless steel shelves
- Different shelf sizes
- Internal LED light (as a standard in GD models)
- Lock alternatives: Assa, iLOQ (Abloy as a standard)
- Basin H=120 mm
- Anti-freeze protection system
- Potential free (no voltage) alarm coupling readiness for real estate monitoring

Technical data

MED Medical Cupboards

R600a
Refrigerant

MED			MED 80	MED 80 GD glass door
External dimensions	Width	mm	595	595
Note! **	Depth	mm	500+ 30 (handle)	500 + 30 (handle)
Table top model without stand	Height	mm	750	750
Wall mounting model without stand	Height	mm	750	750
Under counter model with stand	Height	mm	860	860
Internal dimensions	Width	mm	475	475
	Depth	mm	339 / 206	339 / 206
Front / back	Height	mm	470 / 390	470 / 390
Volume (measured on a stainless-steel shelf according to DIN standard)	Net	liters	60	60
	Gross	liters	75	75
Inner surfaces			PS polystyrene	PS polystyrene
Weight	Net	kg	47	49
Package weight	Gross	kg	50	52
Package size	Width	mm	680	680
	Depth	mm	600	600
	Height	mm	920	920
Sound level measured at the distance of 1m and from the height of 1.6 m		dB	40	41
Ambient temperature		°C	+5...+32	+5...+32
Operating temperature		°C	+2...+15	+2...+15
Temperature accuracy		°C	DIN58345	DIN58345
Refrigerant	R600a	g	42	42
Connection Power		W	50	62
Fuse	Slow	A	10	10
Voltage		V	230/50 Hz	230/50 Hz
Defrost 1. Air 2. Hot gas 3. Electric			3 automatic	3 automatic
Energy consumption (GD LED light OFF/ON)		kWh/d	0,9	0,95/1,3
SHELVES AND DRAWERS:				
Glass shelf 1/2 : width 475 mm, depth 175 mm (amount standard/maximum)		pcs	2/3	2/3
Door shelf: width 425 mm, depth 90 mm (amount standard/maximum) *		pcs	2	-
OR				
Full depth 1/1 glass shelf: width 475 mm, depth 260 mm (amount standard/maximum)		pcs	2/3	2/3
OR				
Stainless steel shelf : width 475 mm, depth 325 mm (amount standard/maximum)		pcs	2/3	2/3
OR				
Drawers: width 460 mm, depth 253 mm (amount standard/maximum) *		pcs	2/3	2/3

Ensure that there is sufficient air circulation around the device so that condensate air can freely enter the environment. See the end of the specifications for more information.

* Door shelf/drawer combination is not available in the refrigerator, and door shelves are only available with 1/2 glass shelf and a solid panel door.

** Depth measurement 500 includes space for condensation

PORKKA

Prices (VAT 0%) valid for new orders from 1 March 2023. Suomen Kotikylmiö reserves the right to make product alterations and or price adjustments at any time and can not be held responsible for any printing errors or omissions.

Technical data

MED Medical Cupboards

R600a
Refrigerant

MED			MED 120	MED 120 GD glass door
External dimensions	Width	mm	595	595
Note! **	Depth	mm	500+ 30 (handle)	500 + 30 (handle)
	Height	mm	860	860
Internal dimensions	Width	mm	475	475
	Depth	mm	339 / 206	339 / 206
Front / back	Height	mm	580 / 500	580 / 500
Volume (measured on a stainless-steel shelf according to DIN standard)	Netto	liters	83	83
	Brutto	liters	100	100
Inner surfaces			PS polystyrene	PS polystyrene
Weight	Net	kg	54	54
Package weight	Gross	kg	58	58
Package size	Width	mm	680	680
	Depth	mm	600	600
	Height	mm	1070	1070
Sound level measured at the distance of 1m and from the height of 1.6 m		dB	41	42
Ambient temperature		°C	+5...+32	+5...+32
Operating temperature		°C	+2...+15	+2...+15
Temperature accuracy		°C	DIN58345	DIN58345
Refrigerant	R600a	g	50	50
Connection Power		W	50	50
Fuse	Slow	A	10	10
Voltage		V	230/50 Hz	230/50 Hz
Defrost 1. Air 2. Hot gas 3. Electric			3 automatic	3 automatic
Energy consumption (GD LED light OFF/ON)		kWh/d	1	1,1/1,37
SHELVES AND DRAWERS:				
Glass shelf 1/2 : width 475 mm, depth 175 mm (amount standard/maximum)		pcs	3/4	3/4
Door shelf: width 425 mm, depth 90 mm (amount standard/maximum) *		pcs	3	-
OR				
Full depth 1/1 glass shelf: width 475 mm, depth 260 mm (amount standard/maximum)		pcs	3/4	3/4
OR				
Stainless steel shelf : width 475 mm, depth 325 mm (amount standard/maximum)		pcs	3/4	3/4
OR				
Drawers: width 460 mm, depth 253 mm (amount standard/maximum) *		pcs	3/4	3/4

Ensure that there is sufficient air circulation around the device so that condensate air can freely enter the environment. See the end of the specifications for more information.

* Door shelf/drawer combination is not available in the refrigerator, and door shelves are only available with 1/2 glass shelf and a solid panel door.

** Depth measurement 500 includes space for condensation

Technical data

MED Medical Cupboards

R600a
Refrigerant

MED			MED 200	MED 200 GD glass door
External dimensions	Width	mm	595	595
Note! **	Depth	mm	500+ 30 (handle)	500 + 30 (handle)
	Height	mm	1325	1325
Internal dimensions	Width	mm	475	475
	Depth	mm	339 / 206	339 / 206
Front / back	Height	mm	1045 / 965	1045 / 965
Volume (measured on a stainless-steel shelf according to DIN standard)	Net	liters	150	150
	Gross	liters	176	176
Inner surfaces			PS polystyrene	PS polystyrene
Weight	Net	kg	69	69
Package weight	Gross	kg	74	74
Package size	Width	mm	680	680
	Depth	mm	600	600
	Height	mm	1470	1470
Sound level measured at the distance of 1m and from the height of 1.6 m		dB	42	43
Ambient temperature		°C	+5...+32	+5...+32
Operating temperature		°C	+2...+15	+2...+15
Temperature accuracy		°C	DIN58345	DIN58345
Refrigerant	R600a	g	55	55
Connection Power		W	50	50
Fuse	Slow	A	10	10
Voltage		V	230/50 Hz	230/50 Hz
Defrost 1. Air 2. Hot gas 3. Electric			3 automatic	3 automatic
Energy consumption (GD LED light OFF/ON)		kWh/d	0,74	0,9/1,25
SHELVES AND DRAWERS:				
Glass shelf 1/2 : width 475 mm, depth 175 mm (amount standard/maximum)		pcs	5/8	5/8
Door shelf: width 425 mm, depth 90 mm (amount standard/maximum) *		pcs	5	-
OR				
Full depth 1/1 glass shelf: width 475 mm, depth 260 mm (amount standard/maximum)		pcs	5/8	5/8
OR				
Stainless steel shelf : depth 475 mm, depth 325 mm (amount standard/maximum)		pcs	5/8	5/8
OR				
Drawers: width 460 mm, depth 253 mm (amount standard/maximum) ****		pcs	5/8	5/8

Ensure that there is sufficient air circulation around the device so that condensate air can freely enter the environment. See the end of the specifications for more information.

* Door shelf/drawer combination is not available in the refrigerator, and door shelves are only available with 1/2 glass shelf and a solid panel door.

** Depth measurement 500 includes space for condensation

PORKKA

Prices (VAT 0%) valid for new orders from 1 March 2023. Suomen Kotikylmiö reserves the right to make product alterations and or price adjustments at any time and can not be held responsible for any printing errors or omissions.

Technical data

MED Medical Cupboards

**R600a
Refrigerant**

MED			MED 160/160		MED 160/160 GD glass door	
			UPPER	LOWER	UPPER	LOWER
External dimensions	Width	mm	595		595	
Note! **	Depth	mm	500 + 30 (handle)		500 + 30 (handle)	
	Height	mm	2030		2030	
Sisämitat	Width	mm	475		475	
	Depth	mm	339	339 / 206	339	339 / 206
Front / back	Height	mm	815	896 / 816	815	896 / 816
Volume (measured on a stainless-steel shelf according to DIN standard)	Net	liters	117	115	117	115
	Gross	liters	143	141	143	141
Inner surfaces			PS polystyrene		PS polystyrene	
Weight	Net	kg	108		108	
Package weight	Gross	kg	109		109	
Package size	Width	mm	680		680	
	Depth	mm	600		600	
	Height	mm	2170		2170	
Sound level measured at the distance of 1m and from the height of 1.6 m		dB	43		44	
Ambient temperature		°C	+5...+32		+5...+32	
Operating temperature		°C	+2...+15	+2...+15	+2...+15	+2...+15
Temperature accuracy			DIN58345		DIN58345	
Refrigerant	R600a	g	2 x 50		2 x 50	
Connection Power		W	100		100	
Fuse	Slow	A	10		10	
Voltage		V	230/50 Hz		230/50 Hz	
Defrost 1. Air 2. Hot gas 3. Electric			3 automatic		3 automatic	
Energy consumption (GD LED light OFF/ON)		kWh/d	1,95		2,1/2,7	
SHELVES AND DRAWERS:						
Glass shelf 1/2 : width 475 mm, depth 175 mm (amount standard/maximum)		pcs	4/6	4/6	4/6	4/6
Door shelf: width 425 mm, depth 90 mm (amount standard/maximum) *		pcs	4	4	-	-
OR						
Full depth 1/1 glass shelf: width 475 mm, depth 260 mm (amount standard/maximum)		pcs	4/6	4/6	4/6	4/6
OR						
Stainless steel shelf : depth 475 mm, depth 325 mm (amount standard/maximum)		pcs	4/6	4/6	4/6	4/6
OR						
Drawers: width 460 mm, depth 253 mm (amount standard/maximum) ***		pcs	2/4 ***	4/6	2/4 ***	4/6

Ensure that there is sufficient air circulation around the device so that condensate air can freely enter the environment. See the end of the specifications for more information.

* Door shelf/drawer combination is not available in the refrigerator, and door shelves are only available with 1/2 glass shelf and a solid panel door.

** Depth measurement 500 includes space for condensation

*** 160/160 top: 2 glass shelves (width 470 mm, depth 254 mm) are always supplied with drawers as standard

Technical data

MED Medical Cupboards

R290
Refrigerant

MED			MED 320	MED 320 GD glass door
External dimensions	Width	mm	595	595
Note! **	Depth	mm	500 + 30 (handle)	500 + 30 (handle)
	Height	mm	2030	2030
Internal dimensions	Width	mm	475	475
	Depth	mm	340 (206 front)	340 (206 front)
Front / back	Height	mm	1600 / 1520	1600 / 1520
Volume (measured on a stainless-steel shelf according to DIN standard)	Net	liters	227	227
Volume	Gross	liters	256	256
Inner surfaces			PS polystyrene	PS polystyrene
Weight	Net	kg	108	108
Package weight	Gross	kg	109	109
Package size	Width	mm	680	680
	Depth	mm	600	600
	Height	mm	2170	2170
Sound level measured at the distance of 1m and from the height of 1.6 m		dB	43	43
Ambient temperature		°C	+5...+32	+5...+32
Operating temperature		°C	+2...+15	+2...+15
Temperature accuracy			DIN58345	DIN58345
Refrigerant	R290	g	60	60
Connection Power		W	75	75
Fuse	Slow	A	10	10
Voltage		V	230/50 Hz	230/50 Hz
Defrost 1. Air 2. Hot gas 3. Electric			1 automatic	1 automatic
Energy consumption (GD LED light OFF/ON)		kWh/d	0,9	1,2/1,25
SHELVES OR DRAWERS:				
Full depth 1/1 glass shelf: width 475 mm, depth 260 mm (amount standard/maximum)		pcs	6/12	6/12
OR				
Stainless steel shelf : depth 475 mm, depth 325 mm (amount standard/maximum)		pcs	6/12	6/12
OR				
Drawers: width 460 mm, depth 253 mm (amount standard/maximum)		pcs	6/10	6/10

Ensure that there is sufficient air circulation around the device so that condensate air can freely enter the environment. See the end of the specifications for more information.












** Depth measurement 500 includes space for condensation

PORKKA

Prices (VAT 0%) valid for new orders from 1 March 2023. Suomen Kotikylmiö reserves the right to make product alterations and or price adjustments at any time and can not be held responsible for any printing errors or omissions.

Technical data

MED Medical Cupboards


GLASS SHELF SMALL SIZE BOTTOM POSITION

GLASS SHELF MEDIUM SIZE 1/2 (STANDARD WITH DOOR SHELF)

GLASS SHELF FULL SIZE 1/1

STAINLESS STEEL SHELF

FLAT BOTTOMED PLASTIC DRAWER + DIVIDERS

DIVIDER (C) FOR DOOR SHELF

iLOQ RJ45 CABLE

STAND H=120 MM

LED LIGHT

NARCOTIC DRAWER

50 ML BOTTLE FOR TEMPERATURE SENSOR

MED factory mounted accessories

KK9018	GLASS SHELF SMALL SIZE BOTTOM POSITION
KK9014	GLASS SHELF MEDIUM SIZE 1/2 (STANDARD WITH DOOR SHELF, DEPTH 175 MM)
KK9015	GLASS SHELF FULL SIZE 1/1 (MED WIDTH 475 MM x DEPTH 260 MM)
KK2991	STAINLESS STEEL SHELF (MED WIDTH 475 MM x DEPTH 325 MM)
KK9010	FLAT BOTTOMED PLASTIC DRAWER + DIVIDERS (INCLUDE 2 PCS KK2371 AND 3 PCS KK2372)
KK2371	LONGITUDINAL DIVIDER (A) FOR DRAWER
KK2372	CROSS DIVIDER (B) FOR DRAWER
KK2373	DIVIDER (C) FOR DOOR SHELF
KK9101	iLOQ S10 ELECTRONIC LOCK + ONE KEY (MODELS 80, 120, 200, 320), Further information: www.iloq.com
KK9102	iLOQ S10 ELECTRONIC LOCK + ONE KEY (MODELS 160/160), SEPARATE LOCKS FOR UPPER AND LOWER CUPBOARD, Further information: www.iloq.com
L-iLOQ160/160	iLOQ S10 ELECTRONIC LOCK + ONE KEY (MODELS 160/160), SHARED LOCK FOR UPPER AND LOWER CUPBOARD, Further information: www.iloq.com
KK9100	iLOQ S10 ADDITIONAL KEY (NOT PROGRAMMED)
KK9103	iLOQ S5 ELECTRONIC LOCK + ONE KEY (MODELS 80, 120, 200, 320), Further information: www.iloq.com
KK9104	iLOQ S5 ELECTRONIC LOCK + ONE KEY (MODELS 160/160), SEPARATE LOCKS FOR UPPER AND LOWER CUPBOARD, Further information: www.iloq.com
KK9105	iLOQ S5 ELECTRONIC LOCK + ONE KEY (MODELS 160/160), SHARED LOCK FOR UPPER AND LOWER CUPBOARD, Further information: www.iloq.com
KK9106	iLOQ S5 ADDITIONAL KEY (NOT PROGRAMMED)
L-OKP049	iLOQ INSTALLATION READINESS, MOUNTING HOLE IN PANEL + TENT
L-ABLOY160/160	SHARED ABLOY LOCK FOR UPPER AND LOWER CUPBOARD (MODELS 160/160)
KK9023	ABLOY LOCK SERIALISATION
KK9047	ADDITIONAL ABLOY KEY
KK9053	LED LIGHT (AS A STANDARD IN GD MODELS)
KK3374	ROLLER WHEEL AT THE BACK SIDE OF THE CABINET (15 MM MORE FOR TOTAL HEIGHT MODELS 80, 120, 200, 160/160)
KK9035	ROLLER WHEEL AT THE BACK SIDE OF THE CABINET (5 MM MORE FOR TOTAL HEIGHT MODEL 320)
L-KK2677	STAND H=120 MM (MED 80 TOTAL HEIGHT H=860 MM)
KK9055	DOOR MOUNTED NARCOTIC LOCKER INSTEAD OF TWO DOOR SHELVES (WIDTH 440 MM x DEPTH 80 MM x HEIGHT 240 MM)
L-KK3388	NARCOTIC DRAWER, ABLOY LOCK+ 2 SENTRY KEYS (WIDTH 435 MM x DEPTH 280 MM x HEIGHT 85 MM)
KK9059	RJ45 (WHITE, BLUE) CABLE 2.5 METER
KK9046	CUSTOMER DELIVERED FACTORY MOUNTED PROBE FOR REMOTE MONITORING
KK9051-1	ANTI-FREEZE FUNCTION
KK9040	POTENTIAL-FREE ALARM TERMINAL STRIP AND RELAY
L-OKP043	GROUNDING CABLE (3.0 M) WITH ANGELED SOCKET SSTL NRO 7060292
KK3021	DOOR OPENING PEDAL
L-OKP046	TERMINAL BLOCK ON BACK WALL FOR DOOR OPEN/CLOSED STATUS MONITORING
L-SKK049	50 ML BOTTLE FOR TEMPERATURE SENSOR INSIDE THE CABINET
L-OKP050	TTL/RS-485 DATA CABEL 0.5 M

Technical data

MED Medical Cupboards

R290
Refrigerant

Technical data

R290
Refrigerant

MED freezer

MED			F 120
External dimensions	Width	mm	595
Note! **	Depth	mm	500 + 30 (handle)
	Height	mm	860
Internal dimensions	Width	mm	475
	Depth	mm	339 / 206
Front / back	Height	mm	610 / 530
Volume (measured on a stainless-steel shelf according to DIN standard)	Net	liters	70
	Gross	liters	80
Inner surfaces			PS polystyrene
Weight	Net	kg	69
Package weight	Gross	kg	74
Package size	Width	mm	680
	Depth	mm	600
	Height	mm	1470
Sound level measured at the distance of 1m and from the height of 1.6 m		dB	42
Ambient temperature		°C	+5...+30
Operating temperature		°C	-15...-25
Temperature accuracy		°C	DIN58345
Refrigerant	R290	g	55
Connection Power		W	50
Fuse	Slow	A	10
Voltage		V	230/50 Hz
Defrost 1. Air 2. Hot gas 3. Electric			2 automatic
Energy consumption (GD LED light OFF/ON)		kWh/d	2,3
SHELVES:			
Stainless steel shelf 1/1 : depth 475 mm, depth 325 mm (amount standard/maximum)		pcs	3/4
OR			
Full depth 1/1 glass shelf: width 475 mm, depth 260 mm (amount standard/maximum)		pcs	3/4

MED F 120



Ensure that there is sufficient air circulation around the device so that condensate air can freely enter the environment. See the end of the specifications for more information.

** Depth measurement 500 includes space for condensation



MED freezer, factory mounted accessories

KK9018	GLASS SHELF SMALL SIZE BOTTOM POSITION
KK9015	GLASS SHELF FULL SIZE 1/1 (WIDTH 475 MM x DEPTH 260 MM)
KK9101	iLOQ S10 ELECTRONIC LOCK + ONE KEY Further information: www.iloq.com
KK9100	iLOQ S10 ADDITIONAL KEY (NOT PROGRAMMED)
KK9103	iLOQ S5 ELECTRONIC LOCK + ONE KEY Further information: www.iloq.com
KK9106	iLOQ S5 ADDITIONAL KEY (NOT PROGRAMMED)
L-OKP049	iLOQ INSTALLATION READINESS, MOUNTING HOLE IN PANEL + TENT
KK9023	ABLOY LOCK SERIALISATION
KK9047	ADDITIONAL ABLOY KEY
KK9053	LED LIGHT
KK9035	ROLLER WHEEL AT THE BACK SIDE OF THE CABINET (5 MM MORE FOR TOTAL HEIGHT)
KK9059	RJ45 (WHITE, BLUE) CABLE 2.5 METER
KK9046	CUSTOMER DELIVERED FACTORY MOUNTED PROBE FOR REMOTE MONITORING
L-OKP043	GROUNDING CABLE (3.0 M) WITH ANGELED SOCKET SSTL NRO 7060292
KK3021	DOOR OPENING PEDAL
L-OKP046	TERMINAL BLOCK ON BACK WALL FOR DOOR OPEN/CLOSED STATUS MONITORING
L-SKK049	50 ML BOTTLE FOR TEMPERATURE SENSOR INSIDE THE CABINET
L-OKP050	TTL/RS-485 DATA CABEL 0.5 M

Technical data

MEDLAB Spark-proof Laboratory Refrigeration Equipment

New energy efficient and environmental friendly MEDLAB range is designed and manufactured for the exacting standards of Biological, Pharmaceutical, Life Sciences and laboratories. Fan assisted air distribution ensures accurate product storage temperatures and product safety is assured by product safety alarm features.



MEDLAB 80 with a stand.
The model in the illustration has the stand (H=120 mm) as an accessory.



MEDLAB 200



MEDLAB 160/160



MEDLAB 320



MEDLAB 80 GD with a stand.
The model in the illustration has the stand (H=120 mm) as an accessory.



MEDLAB 200 GD



MEDLAB 160/160 GD



MEDLAB 320 GD

Technical data

MEDLAB Spark-proof Laboratory Refrigeration Equipment

Features

- Excellent temperature uniformity ($\pm 1^{\circ}\text{C}$) measured according to DIN 58345
- Low noise level, under 45 dB(A)
- Bacteria-free automatic evaporation for condensate water
- Antimicrobial coated door handle and keypad of control unit
- Control unit with clear numeric display for temperature and other functions
- Key lock on the control unit
- Recording of maximum and minimum temperature
- Visual and audible high/low temperature alarm
- Door switch for fan control and door open-alarms
- Probe failure alarm
- Readiness for RS485 adapter for computer connection
- $\varnothing 8$ mm sleeved access port for additional probe
- fan assisted air distribution
- Molded eco-friendly polyurethane insulated frame. The insulation thickness is 50 mm.
- External finish has a white polyester coated sheet steel
- Interior finish in stainless steel
- Hot gas evaporation system that evaporates water condensed on the surface of the cold battery
- Shelves which are adjustable in increments of 35 mm
- Abloy lock is placed in front panel for easy maintenance (Abloy Sentry key)
- The self-closing door has a sturdy molded handle, magnetic seal, and durable hinges. The door remains open at a 90 degree angle
- Automatic defrost
- Efficient, environmental friendly, energy saving refrigerant system R600a or R290
- Electrical supply 230V / 50 Hz



MEDLAB 200

Accessories

- Plastic drawer with dividers
- LED light (standard in GD models)
- Lock alternatives: Assa, iLOQ (Abloy as a standard)
- Stand h=120 mm
- 50 ml bottle for temperature sensor inside the cabinet
- Anti-freeze protection system
- Potential free (no voltage) alarm coupling readiness for real estate monitoring

MEDLAB Spark-proof Laboratory Refrigeration Equipment

MEDLAB			MEDLAB 80	MEDLAB 80 GD glass door
External dimensions	Width	mm	595	595
Note! **	Depth	mm	500 + 30 (handle)	500 + 30 (handle)
Table top model without stand	Height	mm	750	750
Wall mounting model without stand **	Height	mm	750	750
Under counter model with stand **	Height	mm	860	860
Internal dimensions	Width	mm	497	497
	Depth	mm	339 / 206	339 / 206
Front / back	Height	mm	470 / 390	470 / 390
Volume (measured on a stainless-steel shelf according to DIN standard)	Net	liters	60	60
Volume	Gross	liters	75	75
Inner surfaces			Stainless steel	Stainless steel
Weight	Net	kg	49	49
Package weight	Gross	kg	52	52
Package size	Width	mm	680	680
	Depth	mm	600	600
	Height	mm	920	920
Sound level measured at the distance of 1m and from the height of 1.6 m		dB	40	41
Ambient temperature		°C	+5...+32	+5...+32
Operating temperature		°C	+2...+15	+2...+15
Temperature accuracy		°C	DIN58345	DIN58345
Refrigerant	R600a	g	42	42
Connection Power		W	50	62
Fuse	Slow	A	10	10
Voltage		V	230/50 Hz	230/50 Hz
Defrost 1. Air 2. Hot gas 3. Electric			3 automatic	3 automatic
Energy consumption (GD LED light OFF/ON)		kWh/d	0,9	0,95/1,3
SHELVES AND DRAWERS:				
Stainless steel shelf or 1/1 glass shelf, width 495 mm, depth 325 mm (amount standard/maximum)		pcs	2/3	2/3
OR				
Drawers: width 460 mm, depth 253 mm (amount standard/maximum) ****		pcs	2/3	2/3

Technical data

R600a
Refrigerant

MEDLAB Spark-proof Laboratory Refrigeration Equipment

MEDLAB			MEDLAB 200	MEDLAB 200 GD glass door
External dimensions	Width	mm	595	595
Note! **	Depth	mm	500 + 30 (handle)	500 + 30 (handle)
	Height	mm	1325	1325
Internal dimensions	Height	mm	497	497
	Height	mm	339/206	339/206
Front / back	Width	mm	1045 / 965	1045 / 965
Volume (measured on a stainless-steel shelf according to DIN standard)	Net	liters	150	150
Volume	Gross	liters	176	176
Inner surfaces			Stainless steel	Stainless steel
Weight	Net	kg	72	72
Package weight	Gross	kg	77	77
Package size	Width	mm	680	680
	Depth	mm	600	600
	Height	mm	1470	1470
Sound level measured at the distance of 1m and from the height of 1.6 m	Depth	dB	42	43
Ambient temperature	Height	°C	+5...+32	+5...+32
Operating temperature		°C	+2...+15	+2...+15
Temperature accuracy		°C	DIN58345	DIN58345
Refrigerant	R600a	g	55	55
Connection Power		W	50	50
Fuse	Slow	A	10	10
Voltage		V	230/50 Hz	230/50 Hz
Defrost 1. Air 2. Hot gas 3. Electric			3 automatic	3 automatic
Energy consumption (GD LED light OFF/ON)		kWh/d	0,74	0,9/1,25
SHELVES AND DRAWERS:				
Stainless steel shelf or 1/1 glass shelf, width 495 mm, depth 325 mm (amount standard/maximum)		pcs	5/8	5/8
OR				
Drawers: width 460 mm, depth 253 mm (amount standard/maximum) *		pcs	5/8	5/8

Ensure that there is sufficient air circulation around the device so that condensate air can freely enter the environment. See the end of the specifications for more information.

* Door shelf/drawer combination is not available in the refrigerator

** Depth measurement 500 includes space for condensation

PORKKA

21

Prices (VAT 0%) valid for new orders from 1 March 2023. Suomen Kotikylmiö reserves the right to make product alterations and or price adjustments at any time and can not be held responsible for any printing errors or omissions.

Technical data

**R600a
Refrigerant**

MEDLAB Spark-proof Laboratory Refrigeration Equipment

MEDLAB			MEDLAB 160/160		MEDLAB 160/160 GD glass door	
			UPPER	LOWER	UPPER	LOWER
External dimensions	Width	mm	595		595	
Note! **	Depth	mm	500 + 30 (handle)		500 + 30 (handle)	
	Height	mm	2030		2030	
	Internal dimensions	Width	mm	497		497
	Depth	mm	339	339 / 206	339	339 / 206
	Front / back	Height	mm	815	896 / 816	815
Volume (measured on a stainless-steel shelf according to DIN standard)	Net	liters	117	115	117	115
	Gross	liters	143	141	143	141
Inner surfaces			Stainless steel	Stainless steel	Stainless steel	Stainless steel
Weight	Net	kg	109		109	
Package weight	Gross	kg	114		114	
Package size	Width	mm	680		680	
	Depth	mm	600		600	
	Height	mm	2170		2170	
Sound level measured at the distance of 1m and from the height of 1.6 m		dB	43		44	
Ambient temperature		°C	+5...+32		+5...+32	
Operating temperature		°C	+2...+15		+2...+15	
Temperature accuracy			DIN58371		DIN58371	
Refrigerant	R600a	g	2 x 50		2 x 50	
Connection Power		W	100		100	
Fuse	Slow	A	10		10	
Voltage		V	230/50 Hz		230/50 Hz	
Defrost 1. Air 2. Hot gas 3. Electric			3 automatic	3 automatic	3 automatic	3 automatic
Energy consumption (GD LED light OFF/ON)		kWh/d	1,95		2,1/2,7	
SHELVES AND DRAWERS:						
Stainless steel shelf, width 495 mm, depth 325 mm (amount standard/maximum)		pcs	4/6	4/6	4/6	4/6
OR						
Drawers: width 460 mm, depth 253 mm (amount standard/maximum) ***		pcs	2/4 * ***	4/6	2/4 * ***	4/6

Ensure that there is sufficient air circulation around the device so that condensate air can freely enter the environment. See the end of the specifications for more information.

* Door shelf/drawer combination is not available in the refrigerator

** Depth measurement 500 includes space for condensation

*** 160/160 top: 2 stainless steel shelves (width 495 mm, depth 325 mm) are always supplied with drawers as standard

MEDLAB Spark-proof Laboratory Refrigeration Equipment

MEDLAB			MEDLAB 320	MEDLAB 320 GD glass door
External dimensions	Width	mm	595	595
Note! **	Depth	mm	500 + 30 (handle)	500 + 30 (handle)
	Height	mm	2030	2030
Internal dimensions	Width	mm	497	497
	Depth	mm	340 (206 front)	340 (206 front)
Front / back	Height	mm	1600 / 1520	1600 / 1520
Volume (measured on a stainless-steel shelf according to DIN standard)	Net	liters	225	225
	Gross	liters	252	252
Inner surfaces			Stainless steel	Stainless steel
Weight	Net	kg	109	109
Package weight	Gross	kg	114	114
Package size	Width	mm	680	680
	Depth	mm	600	600
	Height	mm	2170	2170
Sound level measured at the distance of 1m and from the height of 1.6 m		dB	43	43
Ambient temperature		°C	+5...+32	+5...+32
Operating temperature		°C	+2...+15	+2...+15
Temperature accuracy			DIN58345	DIN58345
Refrigerant	R290	g	60	60
Connection Power		W	75	75
Fuse	Slow	A	10	10
Voltage		V	230/50 Hz	230/50 Hz
Defrost 1. Air 2. Hot gas 3. Electric			1 automatic	1 automatic
Energy consumption (GD LED light OFF/ON)		kWh/d	0,9	1,2/1,53
SHELVES OR DRAWERS:				
Stainless steel shelf, width 495 mm, depth 325 mm (amount standard/maximum)		pcs	6/13	6/13
OR				
Drawers: width 460 mm, depth 253 mm (amount standard/maximum)		pcs	6/13	6/13

Ensure that there is sufficient air circulation around the device so that condensate air can freely enter the environment. See the end of the specifications for more information.

** Depth measurement 500 includes space for condensation

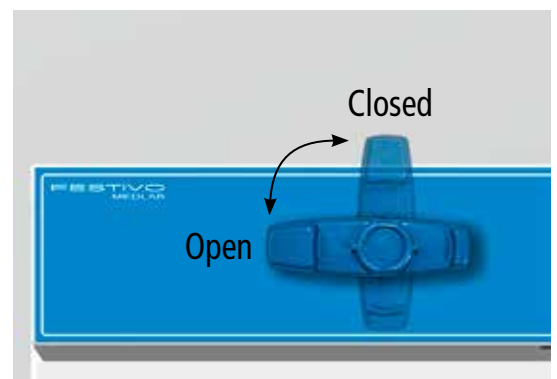
Energy efficient and environmental friendly MEDLAB range is designed and manufactured for the exacting standards of Biological, Pharmaceutical, Life Sciences and laboratories. Fan assisted air distribution ensures accurate product storage temperatures and product safety is assured by product safety alarm features.

A semi-automatic ventilation system may be acquired as an accessory to MEDLAB 320 for laboratory refrigerators to eliminate strong odours from inside the refrigerators before the door is opened. Cabinets equipped with a ventilation system are used, for example, to store soils and other odour-producing materials.

On top of the refrigerator, there is a flexible Ø32 mm **exhaust pipe** that may be attached to the mechanical exhaust air system of the property.

Behind the refrigerator, there is a make-up air valve which opens automatically when **the exhaust air stop valve**, attached to the operating panel, is opened.


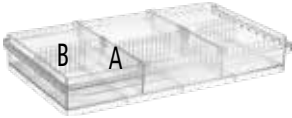
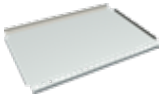





For more information, please contact sales.



MEDLAB			MEDLAB IV 320	MEDLAB IV 320 GD glass door
External dimensions	Width	mm	595	595
Note: **	Depth	mm	500 + 30 (handle)	500 + 30 (handle)
	Height	mm	2030	2030
	Internal dimensions	Width	mm	497
	Depth	mm	340 (206 front)	340 (206 front)
Front / back	Height	mm	1600 / 1520	1600 / 1520
Volume (measured on a stainless-steel shelf according to DIN standard)	Net	liters	225	225
	Gross	liters	252	252
Inner surfaces			Stainless steel	Stainless steel
Weight	Net	kg	109	109
Package weight	Gross	kg	114	114
Package size	Width	mm	680	680
	Depth	mm	600	600
	Height	mm	2170	2170
Sound level measured at the distance of 1m and from the height of 1.6 m		dB	43	43
Ambient temperature		°C	+5...+32	+5...+32
Operating temperature		°C	+2...+6	+15
Temperature accuracy			DIN58345	DIN58345
Refrigerant	R290	g	60	60
Connection Power		W	75	75
Fuse	Slow	A	10	10
Voltage		V	230/50 Hz	230/50 Hz
Defrost 1. Air 2. Hot gas 3. Electric			1 automatic	1 automatic
Energy consumption (GD LED light OFF/ON)		kWh/d	0,9	1,2/1,53
SHELVES OR DRAWERS:				
Stainless steel shelf, width 495 mm, depth 330 mm (amount standard/maximum)		pcs	6/13	6/13
OR				
Drawers: width 460 mm, depth 253 mm (amount standard/maximum)		pcs	6/13	6/13

Technical data

MEDLAB Spark-proof Laboratory Refrigeration Equipment

MEDLAB factory mounted accessories	
	KK2993 GLASS SHELF FULL SIZE 1/1 (WIDTH 495 MM x DEPTH 315 MM)
	KK9010 FLAT BOTTOMED PLASTIC DRAWER + DIVIDERS (INCLUDE 2 PCS KK2371 AND 3 PCS KK2372)
FLAT BOTTOMED PLASTIC DRAWER + DIVIDERS	KK2991 STAINLESS STEEL SHELF (WIDTH 495 MM x DEPTH 325 MM)
	KK2371 LONGITUDINAL DIVIDER (A) FOR DRAWER
STAINLESS STEEL SHELF	KK2372 CROSS DIVIDER (B) FOR DRAWER
	KK9110 SHELF BRACKET PAIR FOR SHELVES AND PLASTIC DRAWER
iLOQ RJ45 CABLE	KK9101 iLOQ S10 ELECTRONIC LOCK + ONE KEY (MODELS 80, 200, 320), Further information: www.iloq.com
	KK9102 iLOQ S10 ELECTRONIC LOCK + ONE KEY (MODELS 160/160), SEPARATE LOCKS FOR UPPER AND LOWER CUPBOARD, Further information: www.iloq.com
STAND H=120 MM	L-ILOQ160/160 iLOQ S10 ELECTRONIC LOCK + ONE KEY (MODELS 160/160), SHARED LOCK FOR UPPER AND LOWER CUPBOARD, Further information: www.iloq.com
	KK9100 iLOQ S10 ADDITIONAL KEY (NOT PROGRAMMED)
LED LIGHT	KK9103 iLOQ S5 ELECTRONIC LOCK + ONE KEY (MODELS 80, 200, 320) Further information: www.iloq.com
	KK9104 iLOQ S5 ELECTRONIC LOCK + ONE KEY (MODELS 160/160), SEPARATE LOCKS FOR UPPER AND LOWER CUPBOARD, Further information: www.iloq.com
NARCOTIC DRAWER	KK9105 iLOQ S5 ELECTRONIC LOCK + ONE KEY (MODELS 160/160), SHARED LOCK FOR UPPER AND LOWER CUPBOARD, Further information: www.iloq.com
	KK9106 iLOQ S5 ADDITIONAL KEY (NOT PROGRAMMED)
50 ML BOTTLE FOR TEMPERATURE SENSOR	L-OKP049 iLOQ INSTALLATION READINESS, MOUNTING HOLE IN PANEL + TENT
	L-ABLOY160/160 SHARED ABLOY LOCK FOR UPPER AND LOWER CUPBOARD (MODEL 160/160)
	KK9023 ABLOY LOCK SERIALISATION
	KK9047 ADDITIONAL ABLOY KEY
	KK9053 LED LIGHT (AS A STANDARD IN GD MODELS)
	KK3374 ROLLER WHEEL AT THE BACK SIDE OF THE CABINET (15 MM MORE FOR TOTAL HEIGHT MODELS 80, 200, 160/160)
	KK9035 ROLLER WHEEL AT THE BACK SIDE OF THE CABINET (5 MM MORE FOR TOTAL HEIGHT MODEL 320)
	L-KK2677 STAND H=120 MM (MED 80 TOTAL HEIGHT H=860 MM)
	KK9055 DOOR MOUNTED NARCOTIC LOCKER INSTEAD OF TWO DOOR SHELVES (WIDTH 440 MM x DEPTH 80 MM x HEIGHT 240 MM)
	L-KK3399 NARCOTIC DRAWER, ABLOY LOCK + 2 SENTRY KEYS (WIDTH 435 MM x DEPTH 280 MM x HEIGHT 85 MM)
	KK9059 RJ45 (WHITE, BLUE) CABLE 2.5 METER
	KK9046 CUSTOMER DELIVERED FACTORY MOUNTED PROBE FOR REMOTE MONITORING
	KK9051-1 ANTI-FREEZE FUNCTION
	KK9040 POTENTIAL-FREE ALARM TERMINAL STRIP AND RELAY
	L-SKK049 50 ML BOTTLE FOR TEMPERATURE SENSOR INSIDE THE CABINET
	L-OKP043 GROUNDING CABLE (3.0 M) WITH ANGELED SOCKET SSTL NRO 7060292
	KK3021 DOOR OPENING PEDAL
	L-OKP046 TERMINAL BLOCK ON BACK WALL FOR DOOR OPEN/CLOSED STATUS MONITORING
	L-OKP050 TTL/RS-485 DATA CABEL 0.5 M

Technical data

MEDLAB 400 Spark-proof Laboratory Refrigeration Equipment

MEDLAB 400, spark-proof, pharmaceutical and laboratory refrigeration and freezer cabinets MEDLAB 400 cabinet series has a wide selection of refrigeration, freezing and combination cabinets. The products are suitable for storing medications and test samples, as well as for storage of various substances and materials, which require a steady storage temperature and spark protection.

MEDLAB 400 refrigeration cabinet is also available with a glass door.

**SPARK
PROOF
INTERIOR**



MEDLAB C 400, F 400



MEDLAB C/F 400



MEDLAB C 400 GD



MEDLAB C GD/F 400

MEDLAB 400 cabinet series is suitable for drug storage in hospitals and pharmacies. The standard version has a number of features that improve drug storage and product safety. The interior surfaces of the MEDLAB 400 cabinets are easy to clean, and the cabinets are spark-proof, making them ideal for laboratory use.

The features of MEDLAB 400 cabinet series are in compliance with the requirements of the future, and the collection is in compliance with the requirements of the new F-Gas Regulation (No 517/2014).

Technical data

MEDLAB 400 Spark-proof Laboratory Refrigeration Equipment

MEDLAB 400 series has paid special attention to the safe storing of the products, and the storage temperatures are in compliance with the requirements of DIN 58345. All the cabinets come with anti-freeze protection (C-models) and potential-free alarm tip information for the building's control system. The cabinets have an internal functioning control system, which will alert visually on the screen, if necessary, and acoustically with the alarm tone of all the deviations related to the use or operation of the cabinet.

In MEDLAB 400 cabinet series, ease of use means a clear and easy-to-use control unit, stainless steel pull-out shelves with flat surfaces that are easy to clean, a low noise level and low energy consumption.

Fan assisted air distribution ensures accurate product storage temperatures and product safety is assured by product safety alarm features.

The characteristics of the product can be complemented by control unit with temperature recording meeting the requirements of refrigeration for drugs according to standard DIN58345.

Features

- Excellent temperature uniformity ($\pm 1^{\circ}\text{C}$) measured according to DIN 58345
- Low noise level, under 45 dB(A)
- Bacteria-free automatic evaporation for condensate water
- Antimicrobial coted door handle and keypad of control unit
- Control unit with clear numeric display for temperature and other functions
- Key lock on the control unit
- Recording of maximum and minimum temperature
- Visual and audible high/low temperature alarm
- Door switch for fan control and door open-alarms
- Probe failure alarm
- Anti-freeze function (C models)
- Potential free (no voltage) alarm coupling readiness for real estate monitoring
- Readiness for RS485 adapter for computer connection
- $\varnothing 8$ mm sleeved access port for additional probe
- Ability to connect the device to external property control
- Fan assisted air distribution
- Molded eco-friendly polyurethane insulated frame. The insulation thickness is 50-60 mm.
- External finish has a white polyester coated sheet steel (visible finish)
- Interior finish in stainless steel
- Stainless steel shelves which are adjustable in increments of 30 mm or drawer + stainless steel shelf combination
- Abloy lock is placed in front panel for easy maintenance (Abloy Sentry key)
- The self-closing door has a sturdy molded handle, magnetic seal, and durable hinges. The door remains open at a 90 degree angle
- Automatic and manual defrost
- Efficient, environmental friendly, energy saving refrigerant system R600
- Electrical supply 230V / 50 Hz

Accessories

- Stainless steel shelf
- LED light (standard in GD models)
- Lock alternatives: Assa, iLOQ (Abloy as a standard)
- 50 ml bottle for temperature sensor inside the cabinet (not together with 8 shelves)
- Continuous temperature recording by MED SAVE control unit

Technical data

R290
Refrigerant

R600a
Refrigerant

MEDLAB 400 Spark-proof Laboratory Refrigeration Equipment

MEDLAB			MEDLAB C 400	MEDLAB F 400	MEDLAB C/F 400	
					UPPER C	LOWER F
External dimensions	Width	mm	610	610	610	
	Depth	mm	746	746	746	
Height adjustable thumb screw legs (standard)	Height	mm	2000	2000	2000	
Height adjustable stainless steel legs	Height	mm	2150	2150	2150	
Castors (lockable front castors)	Height	mm	2095	2095	2095	
Internal dimensions	Width	mm	498	498	498	498
	Depth	mm	538	538	538	538
Front/back	Height	mm	1540/1395	1540/1395	779	711/565
Volume (measured on a stainless-steel shelf according to DIN standard)	Net	liters	346	346	180	135
	Gross	liters	451	451	219	216
Weight	Net	kg	102	120	132	
Package weight	Gross	kg	112	130	142	
Package size	Width	mm	700	700	700	
	Depth	mm	810	810	810	
Height adjustable thumb screw legs	Height	mm	2140	2140	2140	
Height adjustable stainless steel legs	Height	mm	2300	2300	2300	
Sound level measured at the distance of 1m and from the height of 1.6 m		dB	43	45	45	
Ambient temperature		°C	+5...+30	+5...+30	+5...+30	
Operating temperature		°C	+2...+15	-15...-25	+2...+15	-15...-25
Temperature accuracy			DIN58345		DIN58345	
Refrigerant			R290 / 65 g	R290 / 85 g	R600 / 40 g	R290 / 80 g
Connection Power		W	75	240	250	
Fuse	Slow	A	10	10	10	
Voltage		V	230/50 Hz	230/50 Hz	230/50 Hz	230/50 Hz
Defrost 1. Air 2. Hot gas 3. Electric			1 automatic	2 automatic	3 automatic	2 automatic
	Energy consumption (GD LED light OFF/ON)	kWh/d	1,45	3,76	3,47	
SHELVES:						
Stainless steel shelf, width 498 mm, depth 513 mm		pcs	5	5	2	2



STAINLESS STEEL SHELF

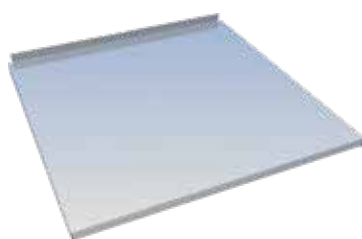


FLAT BOTTOMED PLASTIC BOX DRAWER

PORKKA

MEDLAB 400 Spark-proof Laboratory Refrigeration Equipment

MEDLAB glass door and combination cabinets			MEDLAB C 400 GD	MEDLAB C GD / F 400	
				UPPER C GD	LOWER F
External dimensions	Width	mm	610	610	
	Depth	mm	746	746	
Height adjustable thumb screw legs (standard)	Height	mm	2000	2000	
Height adjustable stainless steel legs	Height	mm	2150	2150	
Castors (lockable front castors)	Height	mm	2095	2095	
Internal dimensions	Width	mm	498	498	498
	Depth	mm	538	538	538
Front/back (from bottom up to filling limit)	Height	mm	1533/1387	779	711/565
Volume (measured on a stainless-steel shelf according to DIN standard)	Net	liters	346	180	135
	Gross	liters	451	219	216
Weight	Net	kg	102	142	
Package weight	Gross	kg	112	152	
Package size	Width	mm	700	700	
	Depth	mm	810	810	
Height adjustable thumb screw legs	Height	mm	2140	2140	
Height adjustable stainless steel legs	Height	mm	2300	2300	
Sound level measured at the distance of 1m and from the height of 1.6 m		dB	44	45	
Ambient temperature		°C	+5...+25	+5...+25	
Operating temperature		°C	+2...+15	+2...+15	-15...-25
Temperature accuracy			DIN58345	DIN58345	DIN58345
Refrigerant			R290 / 80 g	R600 / 40 g	R290 / 80 g
Connection Power		W	75	250	
Fuse	Slow	A	10	10	
Voltage		V	230/50 Hz	230/50 Hz	230/50 Hz
Defrost 1. Air 2. Hot gas 3. Electric			1 automatic	3 automatic	2 manual /automatic
Energy consumption (GD LED light OFF/ON)		kWh/d	1,4/1,78	3,77	
SHELVES:					
Stainless steel shelf, width 498 mm, depth 513 mm		pcs	5	2	2



STAINLESS STEEL SHELF

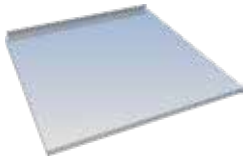









FLAT BOTTOMED PLASTIC BOX DRAWER

* C GD/F door handedness must be mentioned in product order. Changing handedness afterwards requires replacement of doors.

Technical data

MEDLAB 400 Spark-proof Laboratory Refrigeration Equipment


STAINLESS STEEL SHELF (C AND F 400)

GLASS SHELF FULL SIZE 1/1

FLAT BOTTOMED STEEL DRAWER + LONGITUDINAL DIVIDER

FLAT BOTTOMED PLASTIC BOX DRAWER

WIRE BASKET DRAWER
 
iLOQ RJ45 CABLE

50 ML BOTTLE FOR TEMPERATURE SENSOR

MEDLAB 400 factory mounted accessories

KK4050	STAINLESS STEEL SHELF , DEPTH 513 MM
KK4248	GLASS SHELF FULL SIZE 1/1 (DEPTH 515 MM)
KK4185	FLAT BOTTOMED STEEL DRAWER (INCLUDES 3 PCS DIVIDERS AND DIVIDER COMB) 460 MM WIDHT x 485 MM DEPTH x 50 MM HEIGHT
KK4219	LONGITUDINAL DIVIDER FOR STEEL DRAWER
L-KK5214	FLAT BOTTOMED PLASTIC BOX DRAWER 6/PC, 2 PCS/SHELF LENGHT 500MM x WIDTH 234MM x HEIGHT 140MM
KK4184	WIRE BASKET DRAWER 480x480x200 MM
L-SKK080 L-SKK081	CASTORS 4 PCS, LOCKABLE FRONT CASTORS
KK9053	LED LIGHT (AS A STANDARD IN GD MODELS)
KK9101	iLOQ S10 ELECTRONIC LOCK + ONE KEY (MODELS C AND F) Further information: www.ilq.com
L-ILOQ 400 C/F	iLOQ S10 ELECTRONIC LOCK + ONE KEY (MODEL C/F SHARED LOCK FOR UPPER AND LOWER CUPBOARD) Further information: www.ilq.com
KK9100	iLOQ S10 ADDITIONAL KEY (NOT PROGRAMMED)
KK9107	iLOQ S5 ELECTRONIC LOCK + ONE KEY (MODELS C AND F) Further information: www.ilq.com
KK9108	iLOQ S5 ELECTRONIC LOCK + ONE KEY (MODEL C/F SHARED LOCK FOR UPPER AND LOWER CUPBOARD) Further information: www.ilq.com
KK9106	iLOQ S5 ADDITIONAL KEY (NOT PROGRAMMED)
L-OKP049	iLOQ INSTALLATION READINESS, MOUNTING HOLE IN PANEL + TENT
L-ABLOY400C/F	SHARED ABLOY LOCK FOR UPPER AND LOWER CUPBOARD (MODELS C/F 400 JA BB/F 400)
KK9023	ABLOY LOCK SERIALISATION
KK9047	ADDITIONAL ABLOY KEY
KK9059	RJ45 (WHITE, BLUE) CABLE 2.5 METER
KK9046	CUSTOMER DELIVERED FACTORY MOUNTED PROBE FOR REMOTE MONITORING
L-SKK049	50 ML BOTTLE FOR TEMPERATURE SENSOR INSIDE THE CABINET
L-OKP043	GROUNDING CABLE (3.0 M) WITH ANGELED SOCKET SSTL NRO 7060292
KK3021	DOOR OPENING PEDAL
L-OKP046	TERMINAL BLOCK ON BACK WALL FOR DOOR OPEN/CLOSED STATUS MONITORING
L-OKP050	TTL/RS-485 DATA CABEL 0.5 M

Technical data

MEDLAB 400 Spark-proof Laboratory Refrigeration Equipment



MEDLAB C 400



MEDLAB C/F 400

Technical data

MED ambient storage cupboards and refrigerated cupboard combinations

Extensive range from counter top models to large upright refrigerators and freezers, for use in general practices to hospitals and operating theatres.

Features

- Cupboards made of durable and easy to clean melamine board
- Lockable doors with robust steel handle
- Abloy CL103 lock with Sentry key
- Glass shelves
- Door compartments of durable plastic especially dimensioned for storing drugs and medicines
- M1 cupboard equipped with separate narcotics locker and pill dispensing tray
- Narcotics locker which is supplied with a separate lock and keys
- M1 cupboard equipped with LED light automatically operated when the door is opened
- Medicine cupboard can be equipped with optional durable plastic drawers and dividers
- Durable height adjustable stand, height 160 mm

Optional features

- M1 cupboard can be combined with MED 80 medical refrigerator
- NK2/VL4 cupboard can be either added on top or below the MED 200 refrigerator
- Locks Assa, iLOQ
- LED light
- Transparent plastic drawer with dividers



M1 + MED 80



MED 80 + VL8



NK2 + MED 200



MED 200 + VL4

Technical data

MED ambient storage cupboards and refrigerated cupboard combinations

Extensive range from counter top models to large upright refrigerators and freezers, for use in general practices to hospitals and operating theatres.

Features

- Cupboards made of durable and easy to clean melamine board
- Lockable doors with robust steel handle
- Abloy CL103 lock with Sentry key
- Glass shelves
- Door compartments of durable plastic especially dimensioned for storing drugs and medicines
- M1 cupboard equipped with separate narcotics locker and pill dispensing tray
- Narcotics locker which is supplied with a separate lock and keys
- M1 cupboard equipped with LED light automatically operated when the door is opened
- Medicine cupboard can be equipped with optional durable plastic drawers and dividers
- Durable height adjustable stand, height 160 mm

Optional features

- Locks Assa, iLOQ
- LED light
- Transparent plastic drawer with dividers
- Stand H=160 mm for stand alone cupboards



M1 + NK3



M1 + VL6

Technical data

MED ambient storage cupboards and refrigerated cupboard combinations

MED ambient storage cupboards			M1	VL8	NK4	VL6	NK3	VL4	NK2
External dimensions	Width	mm	595	595	595	595	595	595	595
	Depth	mm	500	500	500	500	500	500	500
	Height	mm	1100	1100	1100	720	720	525	525
Internal dimensions	Width	mm	475	475	475	475	475	475	475
	Depth	mm	429	429	429	429	429	429	429
	Height	mm	1064	1064	1064	684	684	489	489
Volume	Net	liters	166	166	166	91	91	72	72
	Gross	liters	207	207	207	148	148	106	106
Weight	Net	kg	54	54	54	-	-	-	-
Package weight	Gross	kg	59	59	59	-	-	-	-
Package size	Width		680	680	680	-	-	-	-
	Depth		600	600	600	-	-	-	-
	Height		1270	1270	1270	-	-	-	-
Connection Power		W	12	12	12	12	12	12	12
Fuse	Slow	A	10	10	10	10	10	10	10
Voltage		V	230	230	230	230	230	230	230
			50/60 Hz	50/60 Hz	50/60 Hz	50/60 Hz	50/60 Hz	50/60 Hz	50/60 Hz
SHELVES AND DRAWERS:									
Glass shelf, width 475 mm, depth 260 mm (amount standard/maximum)		pcs	4/5 *	N/A	4/8	N/A	3/6	N/A	2/4
OR									
Drawers: width 460 mm, depth 253 mm (amount standard/maximum)		pcs	4/5 *	8/8	N/A	6/6	N/A	4/4	N/A
AND									
Door shelf as standard, width 425 mm, depth 90 mm (amount standard/maximum)		pcs	4	4	4	2	2	2	2

MED cupboard combinations Ask seller for further information

M1 + MED 80
 M1 + MED 80 GD
 MED 80 + M1
 MED 80 GD + M1
 MED 80 + NK4/VL8
 MED 80 GD + NK4/VL8
 NK2 + MED 200
 NK2 + MED 200 GD
 MED 200 + NK2/VL4
 MED 200 GD + NK2/VL4
 M1 + NK3
 M1 + VL6

Technical data

MED ambient storage cupboards and refrigerated cupboard combinations

MED refrigerated cupboard combinations			M1 + MED 80		M1 + MED 80 GD	
			M1	MED 80	M1	MED 80 GD
External dimensions	Width	mm	595		595	
Note! **	Depth	mm	500 + 30 (handle)		500 + 30 (handle)	
	Height	mm	2000		2000	
Internal dimensions	Width	mm	475	475	475	475
	Depth	mm	429	339 / 206	429	339 / 206
	Height	mm	1064	470 / 390	1064	470 / 390
Volume	Net	litres	166	60	166	60
	Gross	litres	207	75	207	75
Weight	Net	kg	105		107	
Package weight	Gross	kg	110		112	
Package size	Width		680		680	
	Depth		600		600	
	Height		2170		2170	
Ambient temperature	°C		-	+5...+32	-	+5...+32
Operating temperature	°C		-	+2...+15	-	+2...+15
Temperature accuracy			-	DIN58345	-	DIN58345
Refrigerant	R600a	g	-	42	-	42
Energy consumption (GD LED light OFF/ON)		kWh/d	0,12	0,9	0,12	0,95/1,3
Connection Power		W	12	50	12	50
Fuse	Slow	A	10	10	10	10
Voltage		V	230/50 Hz	230/50 Hz	230/50 Hz	230/50 Hz
Defrost 1. Air 2. Hot gas 3. Electric			-	3	-	3
SHELVES AND DRAWERS:						
Glass shelf, width 475 mm, depth 260 mm (amount standard/maximum)		pcs	4/5*	2/3	4/5*	2/3
Glass shelf, width 475 mm, depth 175 mm **** (amount standard/maximum)		pcs	N/A	2/3	N/A	N/A
OR						
Stainless steel shelves, width 475 mm, depth 325 mm (amount standard/maximum)		pcs	N/A	2/3	N/A	2/3
OR						
Drawers width 460 mm, depth 253 mm *** (amount standard/maximum)		pcs	4/5 ***	2/3	4/5 ***	2/3
AND						
Door shelf as standard, width 425 mm, depth 90 mm *** (amount standard/maximum)		pcs	4	2	4	N/A

* Note! You can select 3 shelves or drawers if the N-Locker for narcotics is not required.


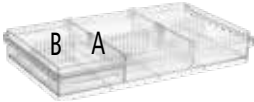







** Depth measurement 500 includes space for condensation

*** Door shelf/drawer combination is not available in the refrigerator

**** Glass shelf 175 mm deep used in medicine refrigerator together with door shelf

Technical data

MED ambient storage cupboards and refrigerated cupboard combinations


GLASS SHELF FULL SIZE 1/1

FLAT BOTTOMED PLASTIC DRAWER + DIVIDERS

DIVIDER FOR DOOR SHELF (C)

PILL DISPENSING TRAY

iLOQ

STAND H=160 MM

LED LIGHT

LED LIGHT - NARCOTIC LOCKER

NARCOTIC DRAWER

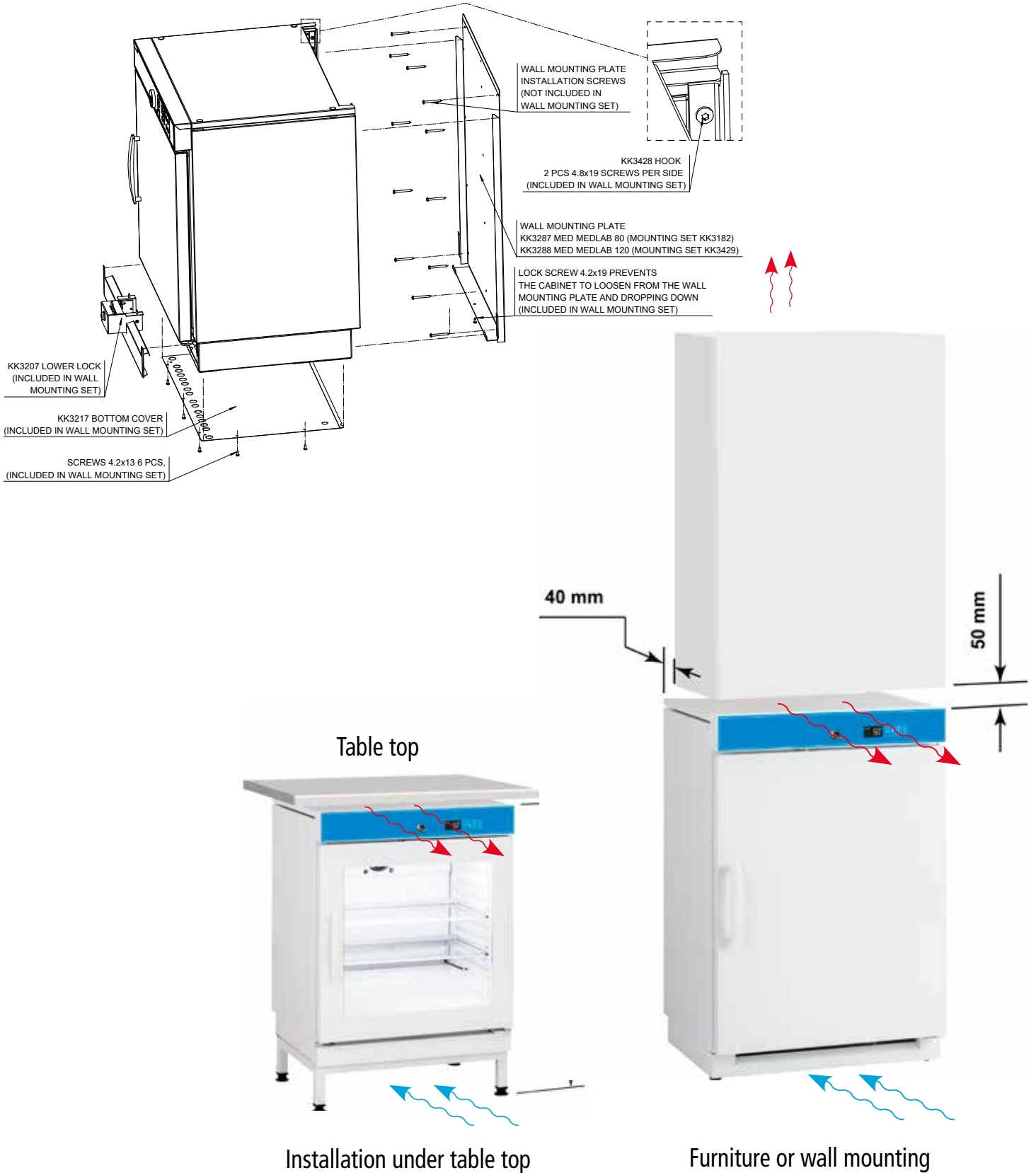
Factory mounted accessories for ambient storage cupboards

KK9015	GLASS SHELF FULL SIZE 1/1 (DEPTH 260 MM)
KK9010	FLAT BOTTOMED PLASTIC DRAWER + DIVIDERS (INCLUDE 2 PCS KK2371 AND 3 PCS KK2372)
KK2371	LONGITUDINAL DIVIDER (A) FOR DRAWER
KK2372	CROSS DIVIDER (B) FOR DRAWER
KK2373	DIVIDER FOR DOOR SHELF (C)
KK9017	PILL DISPENSING TRAY (INCLUDES 3 PCS KK2371 AND 8 PCS KK2372, AS A STANDARD IN M1 CUPBOARD)
KK9024	iLOQ S10 ELECTRONIC LOCK + ONE KEY, Further information: www.iloq.com
KK9100	iLOQ S10 ADDITIONAL KEY
KK9103	iLOQ S5 ELECTRONIC LOCK + ONE KEY. Further information: www.iloq.com
KK9106	iLOQ S5 ADDITIONAL KEY
KK9023	ABLOY LOCK SERIALISATION
KK9047	ADDITIONAL ABLOY KEY
KK9052	LED LIGHT (AS A STANDARD M1 CUPBOARD)
KK9055	NARCOTIC LOCKER (AS A STANDARD M1 CUPBOARD) WIDTH 440 MM x HEIGHT 240 MM x DEPTH 80 MM
L-KK3388	NARCOTIC DRAWER, ABLOY LOCK + 2 SENTRY KEYS (WIDTH 435 MM x DEPTH 280 MM x HEIGHT 85 MM)
L-KK3282	STAND H=160 MM
L-OKP046	TERMINAL BLOCK ON BACK WALL FOR DOOR OPEN/CLOSED STATUS MONITORING

Technical data

Wall mounting and installation under table top and furniture mounting

Wall mounting (80 and 120)



Technical data

Sales and delivery conditions

1. Prices

Prices are exclusive of VAT. We reserve the right to change prices if the state authorities by changing foreign exchange rates or other charges impact the price determining principles or in case of increase in costs for reasons beyond our control.

2. Deliveries

Terms of delivery is, if not separately agreed, EXW (Ex Works) Hollola Finland. Standard packaging is included in the prices. If desired, we offer IPPC packaging and freight costs which will be separately priced. Prices do not include waste management arrangements and the cost of recovery of waste. Under the law, the holder of the waste is responsible for the WEEE waste in professional use.

3. Product features

For the purpose of continuous product development, Suomen Kotikylmiö reserves the right to change the products.

4. Changes and cancellations concerning orders

The buyer shall promptly notify in writing the seller of any changes and cancellations. Changes or cancellations must be made fourteen days (14) days before the scheduled delivery time. The seller shall be entitled to invoice the buyer; the value of the current level of preparedness of a product cancelled or changed later than fourteen (14) days. The new delivery time of the changed order will be counted from the date of the change, unless otherwise agreed.

5. Return policy

The seller will not accept returns without prior agreement. The comments regarding the merchandise must be made within five (5) days of receipt. Returns must always be agreed upon in advance with the representative. For the return of standard products, which is not due to the seller's fault, up to 80% will be refunded. Return policy applies only to the products included in the standard sales program with no additional accessories that are unused, undamaged and in their original packaging.

6. Insurance

The customer is responsible for the transportation of goods and transport insurance.

7. Warranty

The warranty period for the raw material and components is one (1) years if not agreed otherwise. The warranty applies to the equipment sold to the first buyer, i.e. goods have left the factory. The warranty does not cover wear and conditions caused by normal use or the batteries of the appliance.

Warranty is conditional upon the fact that:

- The product is installed in accordance with the provided installation instructions
- The product is used only for its intended purpose
- The product has been used and maintained according to the instructions
- Maintenance work shall be done by a professional refrigeration contractor

Warranty claims must contain:

- Product brand, model and serial number
- Nature of the problem and the circumstances how it has occurred

PORKKA

Suomen Kotikylmiö Oy is part of the Finnish Festivo-Porkka Group. MED and MEDLAB appliances are manufactured in Hollola, Finland, where our research & development, factory, administration and service are also situated.

MED and MEDLAB appliances are genuine Finnish product. The Festivo label on the front panel of your cooling appliance is guarantee of high Finnish quality, evolving from long experience, strong materials, and construction, proven over decades.

Suomen Kotikylmiö Oy
Ravitie 3, FIN-15860 Hollola
Tel. +35810 201 9200
festivo@festivo.fi

Festivo Service
Keskikankaantie 17, FIN-15860 Hollola
Tel. +358 3 553 8681
service@festivo.fi