

KL Series Automatic Ice Cube Machines



Porkka Automatic Ice Making Machines produce hard, crystal clear ice cubes that are long lasting in drinks. They are ideal for use in hotels, restaurants, cafes and nightclubs where drinks are made much more attractive giving greater customer satisfaction.

KL Series Automatic Ice Cube Machines

Continued development allows Porkka Ice Machines to produce ice as economically as possible, the positive spray method uses the minimum of water and electrical power to produce round, clear ice cubes that last well in the glass.



KL32

AVAILABLE WITH
R290
REFRIGERANT

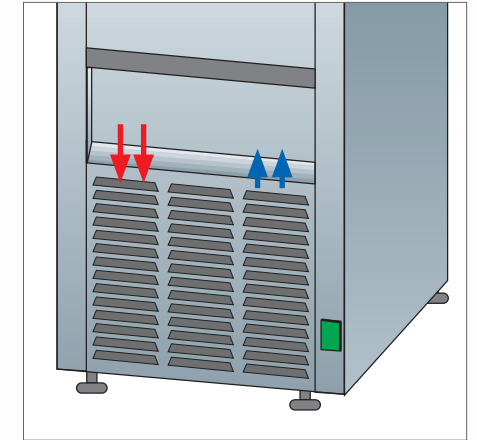


Features

- Bodywork made from stainless steel grade AISI 304
- One piece insulated and moulded food safe ABS plastic storage bin
- Spray system for cristal clear, hygienic and long lasting ice cubes
- Fully automatic production system
- All models equipped with cleaning system
- All parts for cleaning are accessible without use of tools
- Bin thermostat to control production when bin is full

Optional Features

- Front ventilation for models KL 32 & KL 42
- Voltage 230V/60Hz or 115V/60Hz
- Water cooled condenser



Optional front ventilation



KL22



KL32



KL42

Specifications

	KL22 (E)		KL32 (E)		KL42 (E)	
	A	W	A	W	A	W
Air cooled/Water cooled						
Production Kg/24h	24	25	30	31	40	42
Width (mm)	345		417		495	
Depth (mm)	460		531		560	
Height (mm) (feet)	587 + (25)		654 + (25)		700 + (140)	
Cubes produced (24h)	1050	1110	1550	1610	2160	2270
Bin Storage (Kg)	6.5		11		17	
Connection Power (kW)	0.29		0.42		0.455	
Voltage	230V/50Hz		230V/50Hz		230V/50Hz	
Gross Weight (kg)	36		50		59	

(E) = available with R290 refrigerant



KL52



KL72



KL102

Specifications

	KL52 (E)		KL72 (E)		KL102 (E)	
	A	W	A	W	A	W
Air cooled/Water cooled						
Production Kg/24h	50	52	70	72	88	90
Width (mm)	495		680		680	
Depth (mm)	560		560		560	
Height (mm) (feet)	800 + (140)		890 + (140)		890 + (140)	
Cubes produced (24h)	2770	2880	3880	4000	4880	5000
Bin Storage (Kg)	20		30		45	
Connection Power (kW)	0.475		0.73		0.9	
Voltage	230V/50Hz		230V/50Hz		230V/50Hz	
Gross Weight (kg)	61		78		81	

(E) = available with R290 refrigerant



KL132



KL152

Specifications

	KL132		KL152	
	A	W	A	W
Air cooled/Water cooled				
Production Kg/24h	125	127	145	147
Width (mm)	1002		1002	
Depth (mm)	560		560	
Height (mm) (feet)	920 + (140)		920 + (140)	
Cubes produced (24h)	6940	7050	8050	8160
Bin Storage (Kg)	50		68	
Connection Power (kW)	1.2		1.35	
Voltage	230V/50Hz		230V/50Hz	
Gross Weight (kg)	113		113	



KL172



KL302

Specifications

	KL172		KL302	
	A	W	A	W
Air cooled/Water cooled				
Production Kg/24h	145	152	260	262
Width (mm)	960		960	
Depth (mm)	640		640	
Height (mm)	484		774	
Cubes produced (24h)	8330	8440	14440	14550
Bin Storage (Kg)	-		-	
Connection Power (kW)	1.5		2.4	
Voltage	230V/50Hz		230V/50Hz	
Gross Weight (kg)	116		166	



B/BK150



B/BK250

Specifications

	B150	BK150	B250	BK250
	Width (mm)	960	Essential for operation	1200
Depth (mm)	845	-	845	-
Height (mm) (feet)	768 + (140)	-	768 + (140)	-
Bin Storage (Kg)	150	-	250	-
Gross Weight (kg)	63	12	84	12

KF KFP Series Automatic Flake Ice Machines



Porkka Automatic Flake Ice Machines produce a dry free-flowing flake ice that is ideal for salad bar displays, cooling of white wines or champagne and cocktails where crushed ice is required. They can be used in hotels, restaurants, cafes and nightclubs when a more sophisticated display is required to enhance customer appeal.



KF KFP Series Automatic Flake Ice Machines

Porkka ice flakers produce ice flakes that are dry and compact, this allows the ice to remain free flowing for easy use even after long storage periods.

The ice is ideal for use in restaurants, hotels and for salad bars, food displays and cocktails.

Built using the most up to date technology Porkka ice flakers are designed to produce ice year after year, quietly and efficiently.



KF85

AVAILABLE WITH
R290
REFRIGERANT

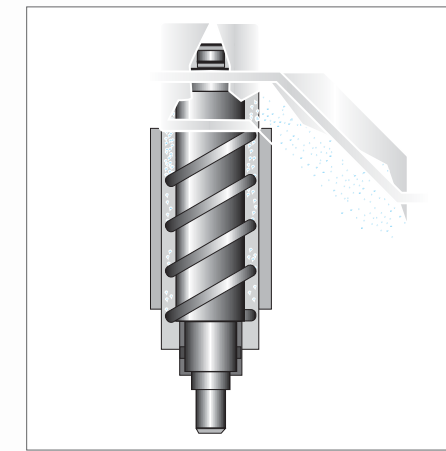


Features

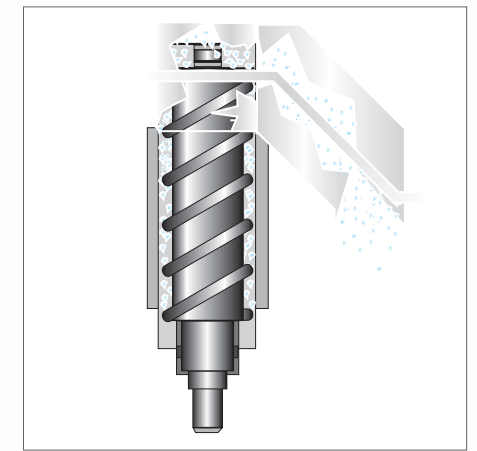
- Bodywork made from stainless steel grade AISI 304
- One piece insulated and moulded food safe ABS plastic storage bin
- Ice produced using a vertical evaporator with endless screw
- Belt driven gearbox
- Bin thermostat (models with integrated storage bins)
- Electronic eye sensor (models without integrated bins)

Optional Features

- Front ventilation for model KF 75
- Water cooled condenser
- Voltage 230V/60Hz or 115V/60Hz



KF machines produce flake ice using the Auger method. Tried and tested over the years these machines produce quality flake ice at competitive prices.



KF-P machines produce pressed flake ice at -0.5°C. This is a drier ice which lasts longer on display and is preferred in some processes.



KF45



**KF85 (E)
KFP85 (E)**



**KF145 (E)
KFP145 (E)**

Specifications

	KF45 (E)		KF85 (E)/KFP85 (E)		KF145 (E)/KFP145 (E)	
	A	W	A	W	A	W
Air cooled/Water cooled						
Production Kg/24h - KF	40	42	80	83	135	141
Production Kg/24h - KFP			75	78	120	125
Width (mm)	345		485		680	
Depth (mm)	520		586		588	
Height (mm) (feet)	610 + (25)		720 + (140)		890 + (140)	
Bin Storage (Kg)	10		25		42	
Connection Power (kW)	0.41		0.52		0.59	
Voltage	230V/50Hz		230V/50Hz		230V/50Hz	
Gross Weight (kg)	41		62		76	

(E) = available with R290 refrigerant



KF185 (E)



**KF200 (E)
KFP200 (E)**



**KF300 (E)
KFP300 (E)**

Specifications

Air cooled/Water cooled	KF185 (E)		KF200 (E)/KFP200 (E)		KF300 (E)/KFP300 (E)	
	A	W	A	W	A	W
Production Kg/24h - KF	175	183	195	205	300	305
Production Kg/24h - KFP			175	180	270	275
Width (mm)	953		560		560	
Depth (mm)	590		511		511	
Height (mm) (feet)	781 + (140)		560		560	
Bin Storage (Kg)	60		-		-	
Connection Power (kW)	0.65		0.8		1.15	
Voltage	230V/50Hz		230V/50Hz		230V/50Hz	
Gross Weight (kg)	94		78		78	

(E) = available with R290 refrigerant



KF600



KF1200



KF2500

Specifications

Air cooled/Water cooled	KF600		KF1200		KF2500	
	A	W	A	W	A	W
Production Kg/24h	600	615	1150	1165	2300	2330
Width (mm)	750		900		1146	
Depth (mm)	561		626		692	
Height (mm)	692		872		1120	
Bin Storage (Kg)	-		-		-	
Connection Power (kW)	1.95		3.6		2x3.6	
Voltage	230V/50Hz		230V/50Hz		230V/50Hz	
Gross Weight (kg)	122		180		320	



KFP450



KFP950



KFP1750

Specifications

Air cooled/Water cooled	KFP450		KFP850		KFP1750	
	A	W	A	W	A	W
Production Kg/24h	485	490	970	980	1700	1720
Width (mm)	750		900		1146	
Depth (mm)	561		626		692	
Height (mm)	692		872		1120	
Bin Storage (Kg)	-		-		-	
Connection Power (kW)	1.95		3.6		2x3.6	
Voltage	230V/50Hz		230V/50Hz		230V/50Hz	
Gross Weight (kg)	122		180		320	



B/BF150



B/BF250

Specifications

Width (mm)	B150	BF150	B250	BF250
	Depth (mm)	890	Essential for operation	1200
Height (mm) (feet)	845	-	845	-
Bin Storage (Kg)	764 + (140)	-	764 + (140)	-
Gross Weight (kg)	150	-	250	-
	63	7	84	8